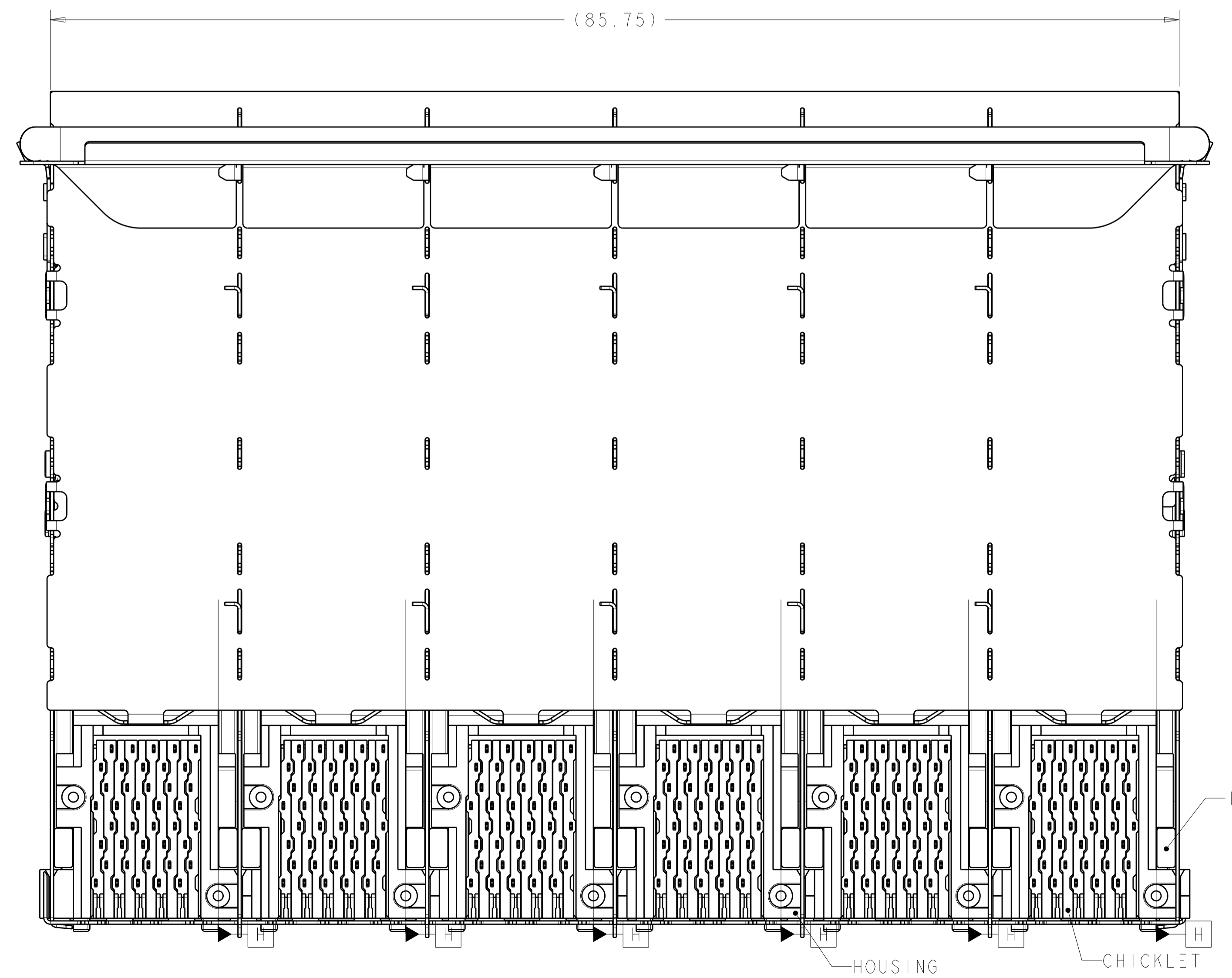
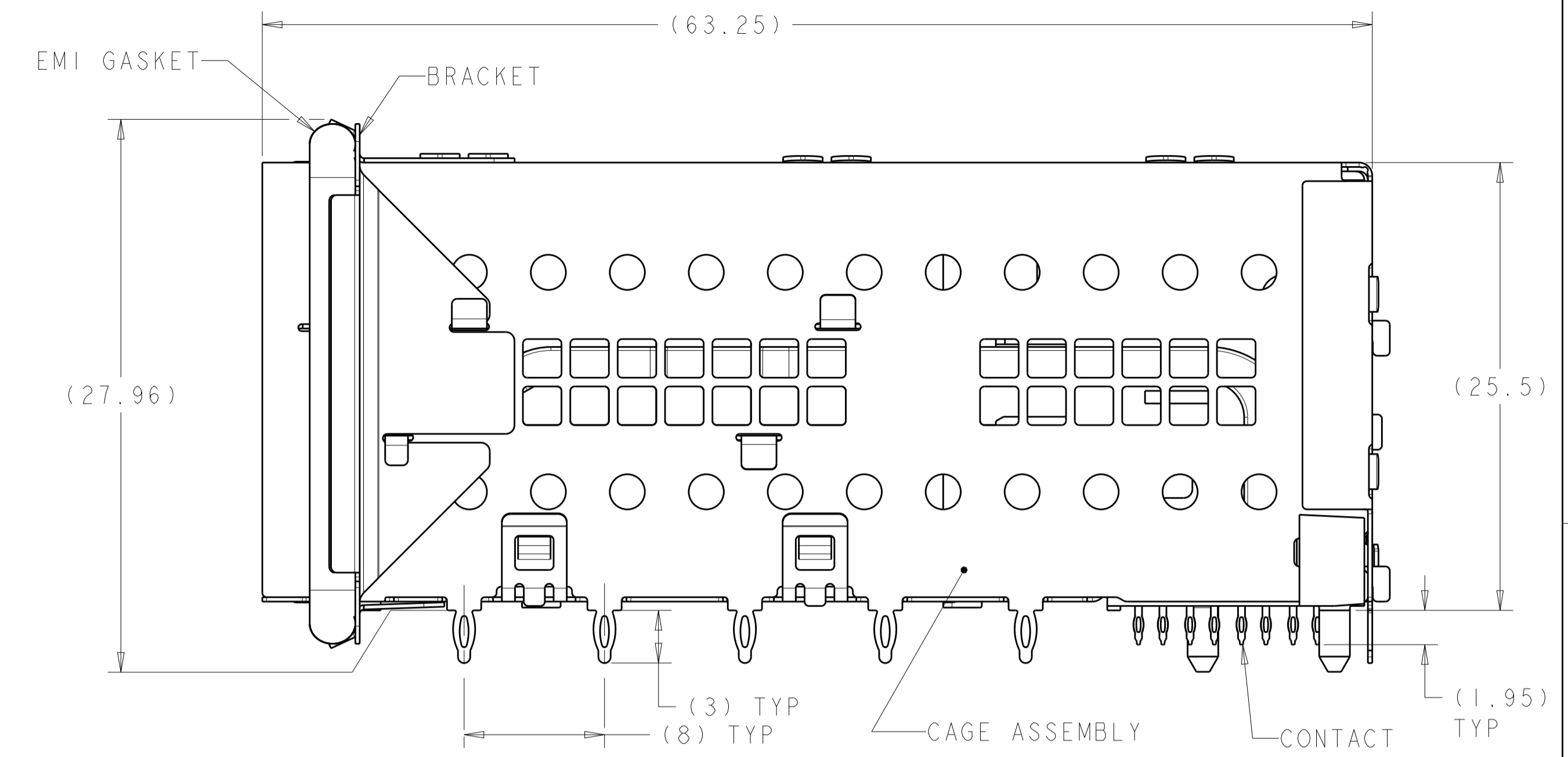
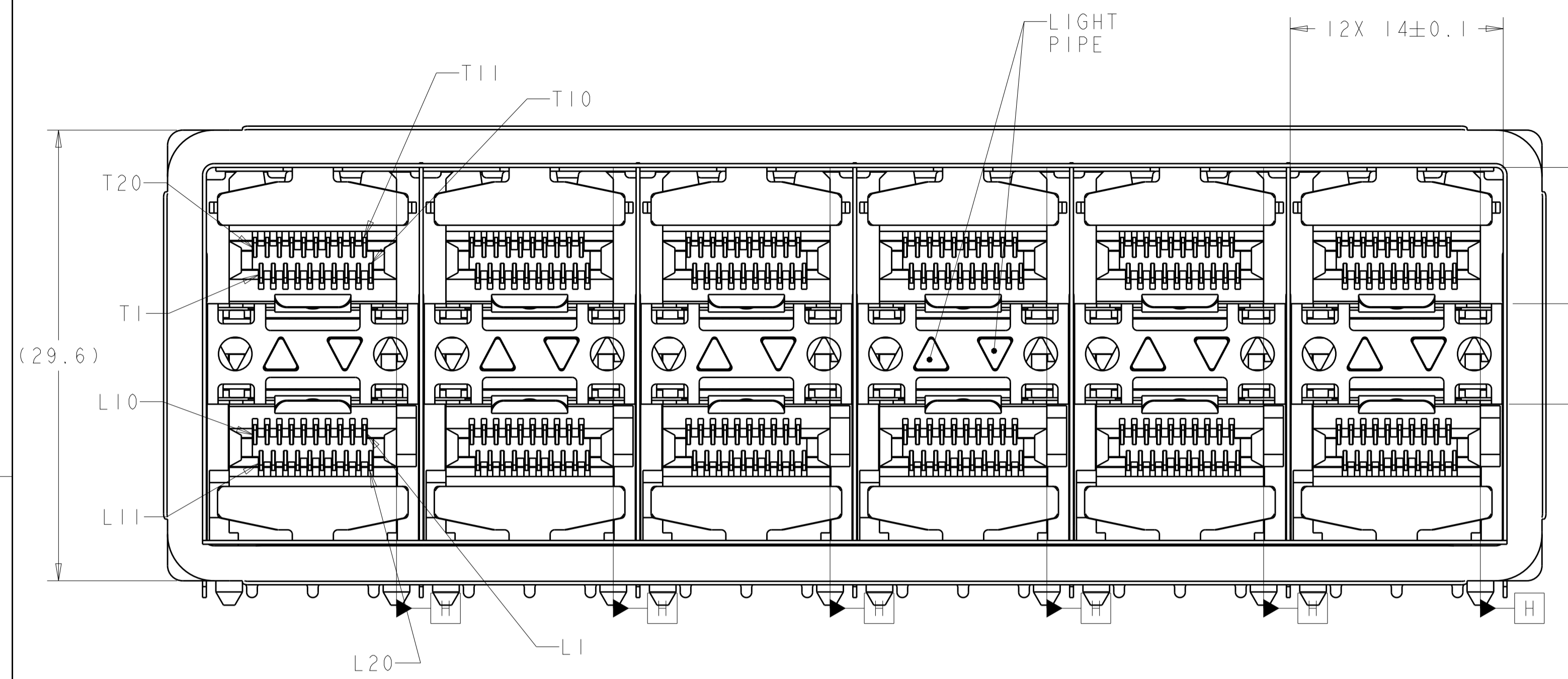


LOC	DIST	REVISIONS			
P	LTN	DESCRIPTION	DATE	DMN	APVD
5		UPDATED DWG TO REFLECT NEW BOTTOM CAGE	14MAR2012	BMM	MRS
6		UPDATED TO REFLECT NEW RETENTION PLATE	31MAY2012	BMM	MRS
7		REMOVED FOF SHIELDING FROM NOTE 1	11SEP2012	BM	PR
8		NOTE 4 REVISED	04OCT2013	BM	PR



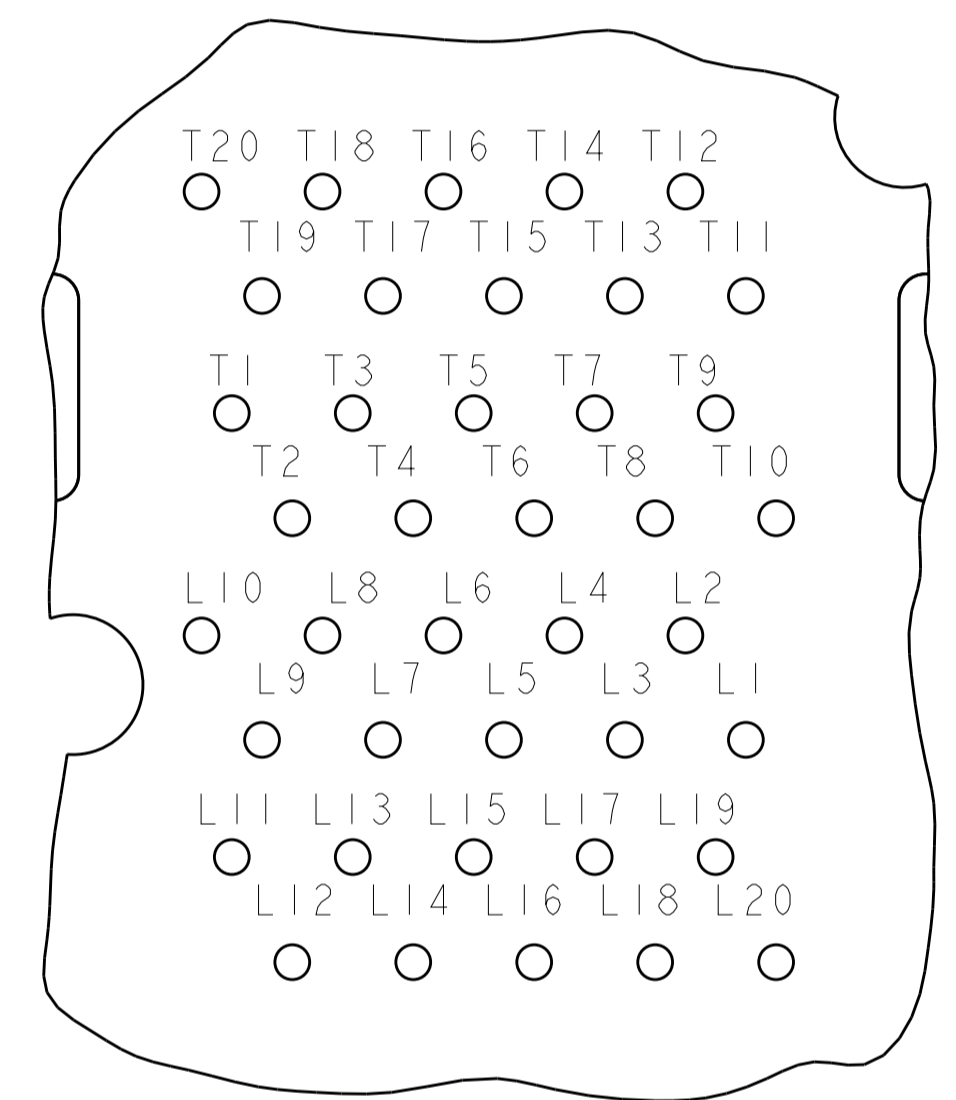
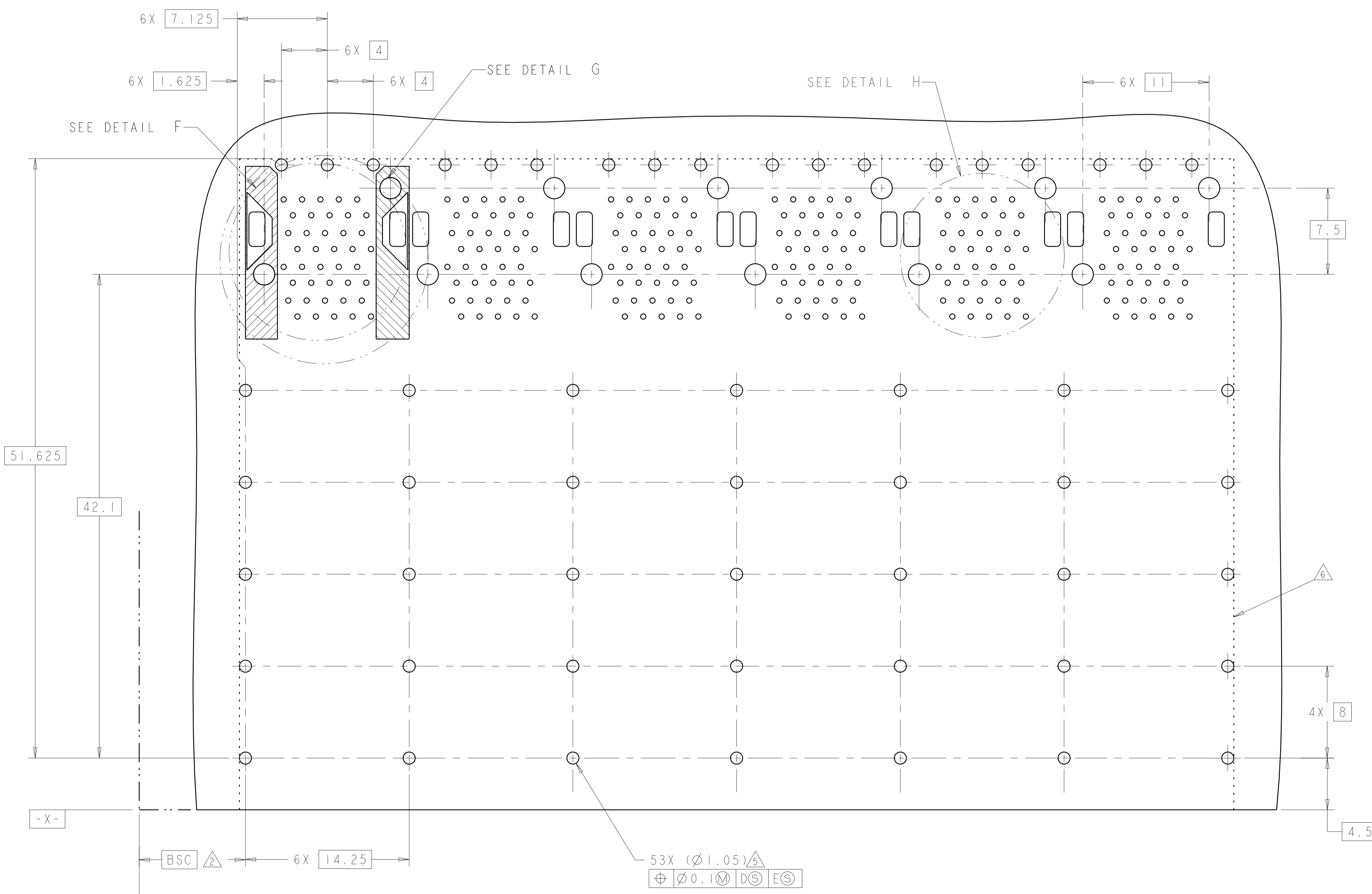
- 1 MATERIALS:
 CAGE ASSEMBLY- NICKEL SILVER ALLOY PER ASTM B 122.
 BRACKET- STAINLESS STEEL.
 EMI GASKET- PLATED FILLED SILICONE.
 HOUSING- BLACK LCP, UL 94V-0 RATED.
 CHICKLET- BLACK LCP, UL 94V-0 RATED.
 LIGHT PIPE- POLYCARBONATE, CLEAR.
 INSERT - (FOR LIGHT PIPE PART NUMBERS ONLY) - PBT, BLACK, UL 94V-0.
 CONTACT- COPPER ALLOY.
- 2 DATUM AND BASIC DIMENSIONS ESTABLISHED BY CUSTOMER.
- 3. MINIMUM PCB THICKNESS OF 1.5.
- 4 CONTACT MATING AREA: SURFACE TREATMENT OVER 0.76µm MIN GOLD OVER 1.27µm MIN NICKEL. CONFORMS TO THE REQUIREMENTS OF PRODUCT SPECIFICATION 108-2331, BASED ON EIA/ECA-364-1000.01A (CONTROLLED ENVIRONMENT APPLICATIONS).
 NEEDLE EYE: 1.25 µm MIN TIN OVER 1.27 µm MIN NICKEL.
 REMAINDER OF CONTACT: 0.76µm MIN NICKEL.
- 5 FOR HOLE SIZE AND PLATINGS, SEE APPLICATION SPEC 114-13219.
- 6 THE ENTIRE AREA OF THE CONNECTOR FOOTPRINT, INDICATED BY THE DASHED LINE, TO BE CONSIDERED THE KEEPOUT AREA FOR COMPONENTS AND SIGNAL TRACES, TOP SIDE ONLY. TOP SIDE TRACES ALLOWED WITHIN CONNECTOR HOLE PATTERN.
- 7 LIGHT PIPE PAD LAYOUT IS FOR 0805 LOW PROFILE LED PACKAGE WITH A HEIGHT OF 0.8mm.

2180640-1
 PART NUMBER

THIS PRINT IS
PRELIMINARY
 UNQUALIFIED PRODUCT
 CONTACT PRODUCT ENGINEERING
 BEFORE USING THIS PRINT

THIS DRAWING IS A CONTROLLED DOCUMENT.		OWN ID: MATTHEWS, 20CT2011	
DIMENSIONS: mm		CHK M: SCHMITZ, 12OCT2011	
TOLERANCES UNLESS OTHERWISE SPECIFIED:		APVD M: SCHMITZ, 12OCT2011	PRELIMINARY CAGE AND P/T CONNECTOR ASSEMBLY, WITH EMI GASKET, PRESS FIT, 2X6, STACKED SFP+
0 PLC ±0.10		PRODUCT SPEC: 108-2331	
1 PLC ±0.10		APPLICATION SPEC: 114-13219	SIZE: A1
2 PLC ±0.10		WEIGHT: -	CAGE CODE: 00779
3 PLC ±0.10		FINISH: -	DRAWING NO: C=2180640
4 PLC ±0.10		ANGLES: -	SCALE: 4:1
MATERIAL: -		RESTRICTED TO: -	SHEET: 1 OF 3
FINISH: -		CUSTOMER DRAWING	REV: 8

LOC	DIST	REVISIONS					
GP	00	P	LTH	DESCRIPTION	DATE	OWN	APVD
		-		SEE SHEET 1			



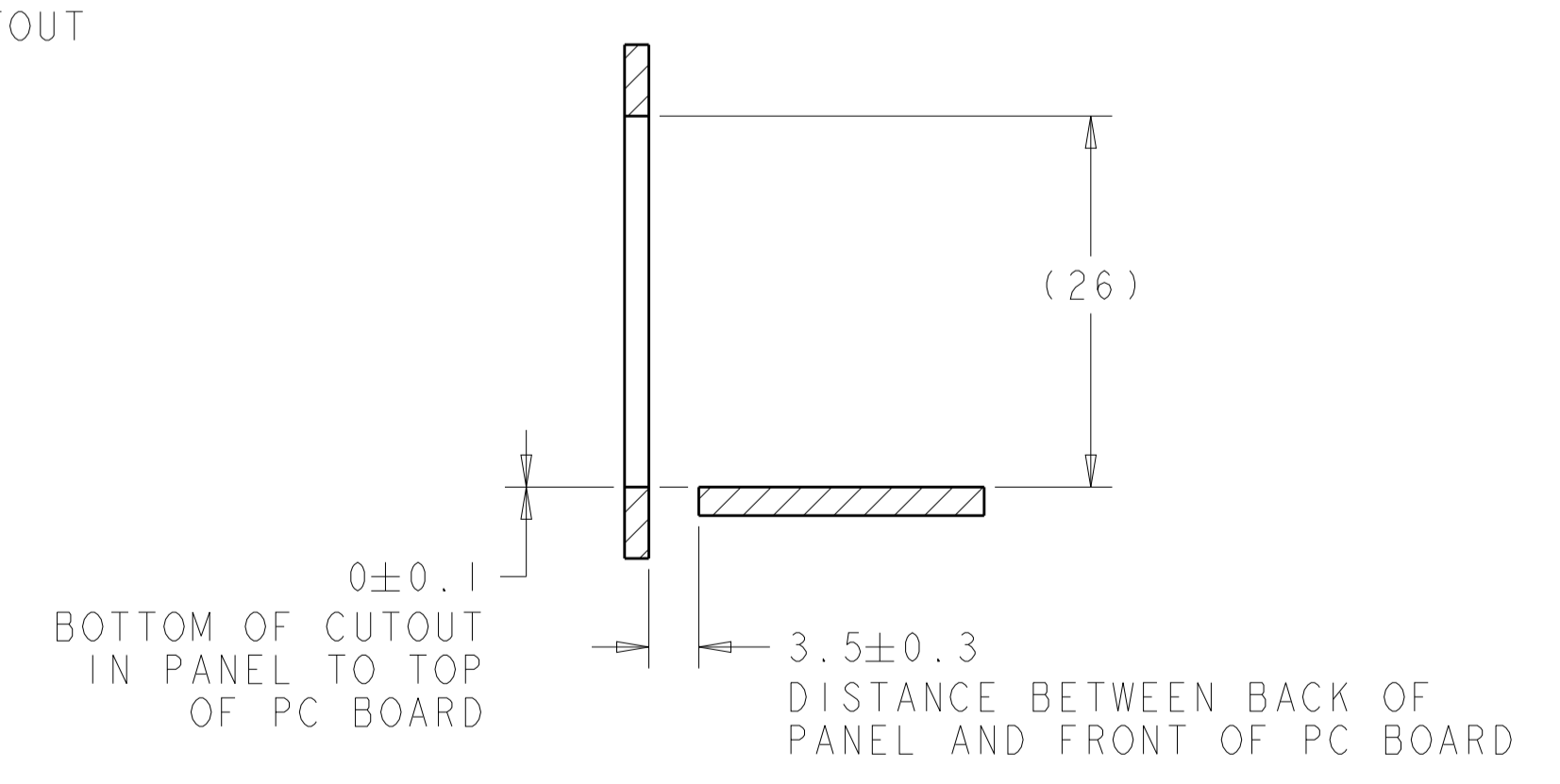
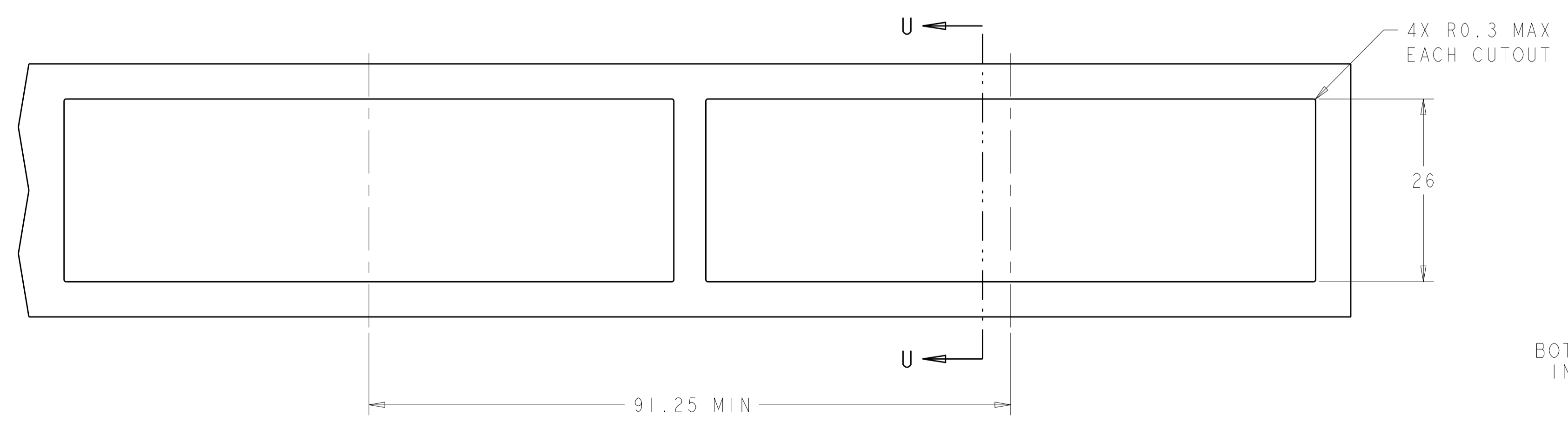
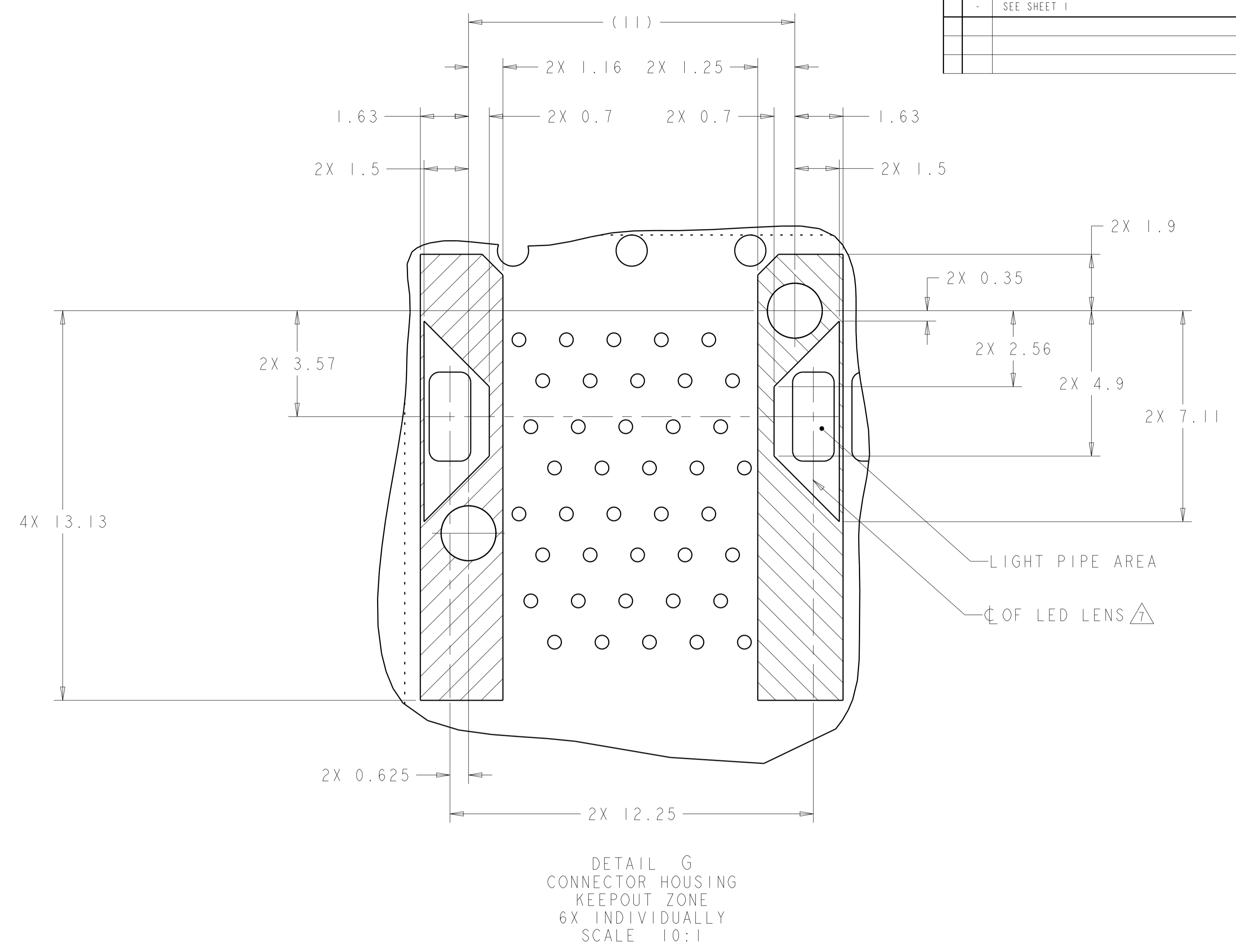
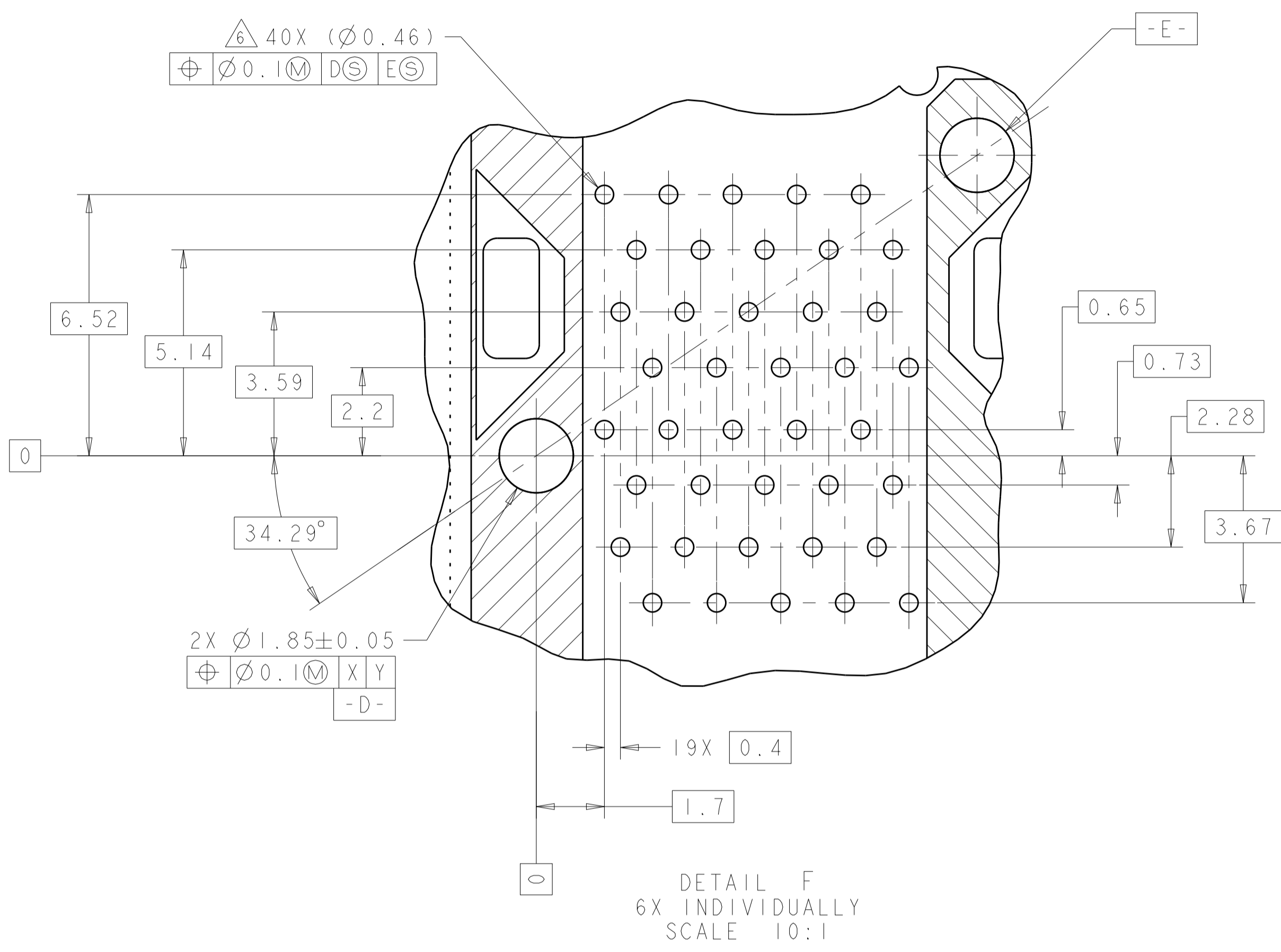
DETAIL H
CONNECTOR PIN-OUT
COMPONENT SIDE OF BOARD
6X INDIVIDUALLY
SCALE 10:1

RECOMMENDED PCB LAYOUT
COMPONENT SIDE OF BOARD
SCALE 5:1

THIS PRINT IS
PRELIMINARY
UNQUALIFIED PRODUCT
CONTACT PRODUCT ENGINEERING
BEFORE USING THIS PRINT

THIS DRAWING IS A CONTROLLED DOCUMENT.		OWN: B. MATTHEWS (20CT2011)	 TE Connectivity
DIMENSIONS: mm		CHK: M. SCHMITT (20CT2011)	
TOLERANCES UNLESS OTHERWISE SPECIFIED:		APVD: M. SCHMITT (20CT2011)	NAME: CAGE AND PT CONNECTOR ASSEMBLY, W/ EMI GASKET AND FOF EMI SHIELDING, PRESS FIT, 2X6, STACKED SFP+
0 PLC ±0.10		PRODUCT SPEC: 108-2331	
1 PLC ±0.10		APPLICATION SPEC: 114-13219	SIZE: A1 CAGE CODE: 00779 DRAWING NO: C=2180640
2 PLC ±0.10		WEIGHT: -	
3 PLC ±0.10		FINISH: -	CUSTOMER DRAWING SCALE: 4:1 SHEET 2 OF 3 REV 8
4 PLC ±0.10		ANGLES: -	

LOC	DIST	REVISIONS			
GP	00	REV	DATE	BY	APPV
		1	SEE SHEET 1		



THIS PRINT IS
PRELIMINARY
UNQUALIFIED PRODUCT
CONTACT PRODUCT ENGINEERING
BEFORE USING THIS PRINT

THIS DRAWING IS A CONTROLLED DOCUMENT.		OWN: B. MATTHEWS (20CT2011)	TE Connectivity
DIMENSIONS: mm		CHK: M. SCHMITT (20CT2011)	
TOLERANCES UNLESS OTHERWISE SPECIFIED:		APV: M. SCHMITT (20CT2011)	NAME: CAGE AND PT CONNECTOR ASSEMBLY, W/ EMI GASKET AND FOF EMI SHIELDING, PRESS FIT, 2X6, STACKED SFP+
0 PLC	±0.10	PRODUCT SPEC	SIZE: 108-2331
1 PLC	±0.10	APPLICATION SPEC	RESTRICTED TO
2 PLC	±0.10	114-13219	A100779C=2180640
3 PLC	±0.10	WEIGHT	SCALE 4:1 SHEET 3 OF 3 REV 8
4 PLC	±0.10	CUSTOMER DRAWING	
ANGLES	±°		
MATERIAL	FINISH		